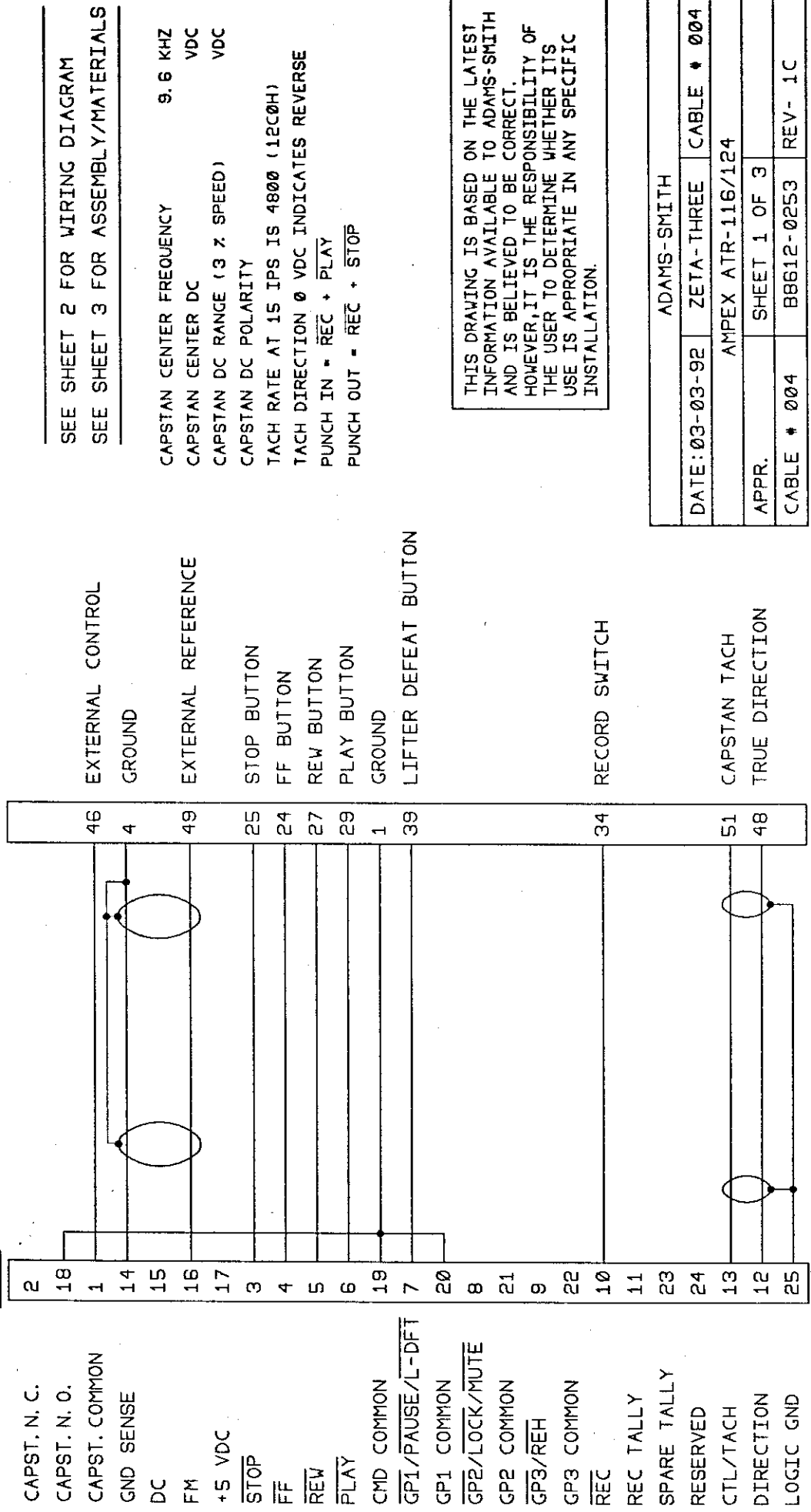


**SCHEMATIC**

ZETA  
"TRANSPORT"  
CINCH DB-25P  
P1

AMPEX  
"ACCESSORY"  
WINCHESTER MRAC-75P  
P2



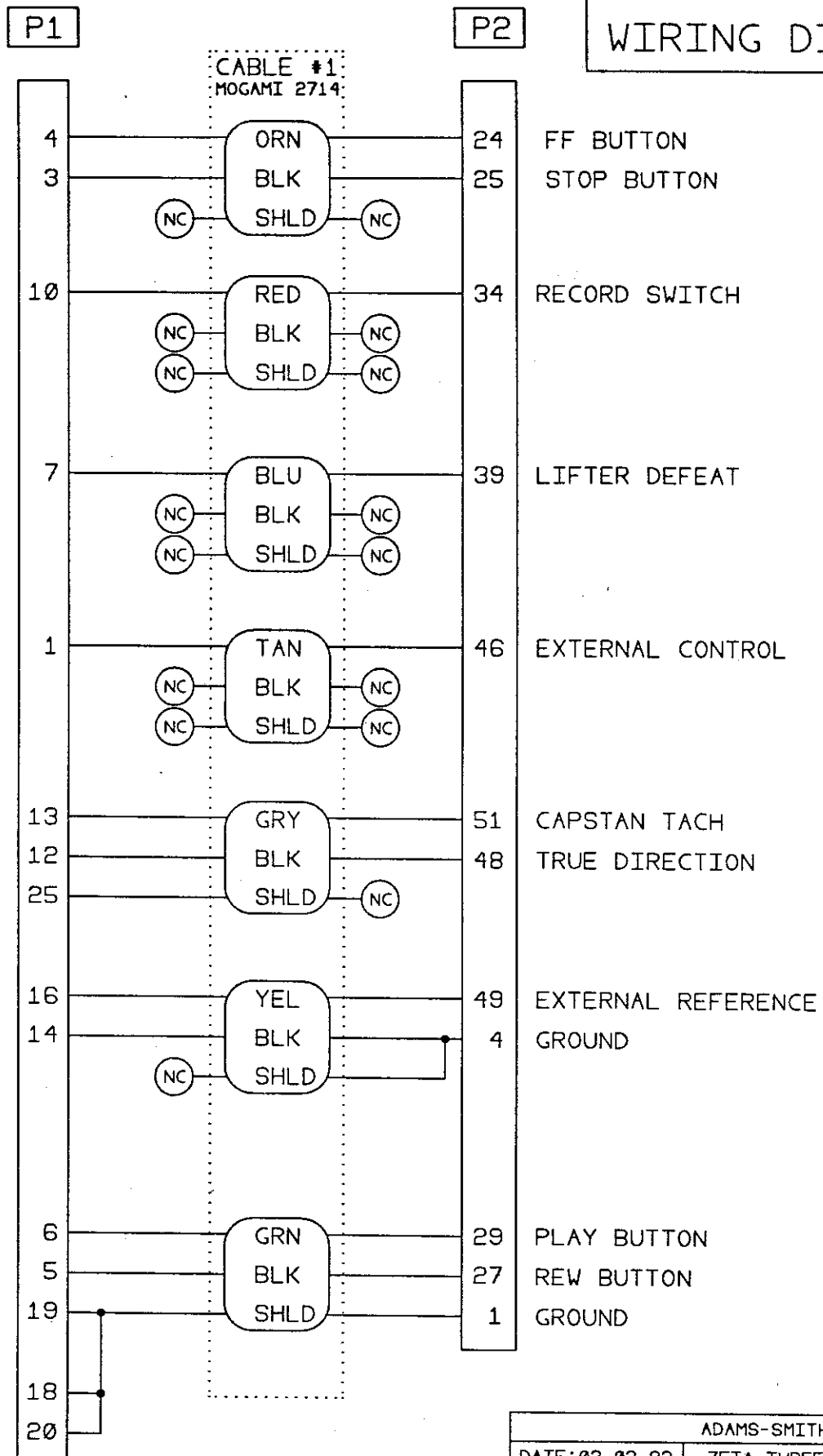
SEE SHEET 2 FOR WIRING DIAGRAM  
SEE SHEET 3 FOR ASSEMBLY/MATERIALS

CAPSTAN CENTER FREQUENCY 9.6 KHZ  
CAPSTAN CENTER DC VDC  
CAPSTAN DC RANGE (3 % SPEED) VDC  
CAPSTAN DC POLARITY  
TACH RATE AT 15 IPS IS 4800 (12C0H)  
TACH DIRECTION 0 VDC INDICATES REVERSE  
PUNCH IN = REC + PLAY  
PUNCH OUT = REC + STOP

THIS DRAWING IS BASED ON THE LATEST INFORMATION AVAILABLE TO ADAMS-SMITH AND IS BELIEVED TO BE CORRECT. HOWEVER, IT IS THE RESPONSIBILITY OF THE USER TO DETERMINE WHETHER ITS USE IS APPROPRIATE IN ANY SPECIFIC INSTALLATION.

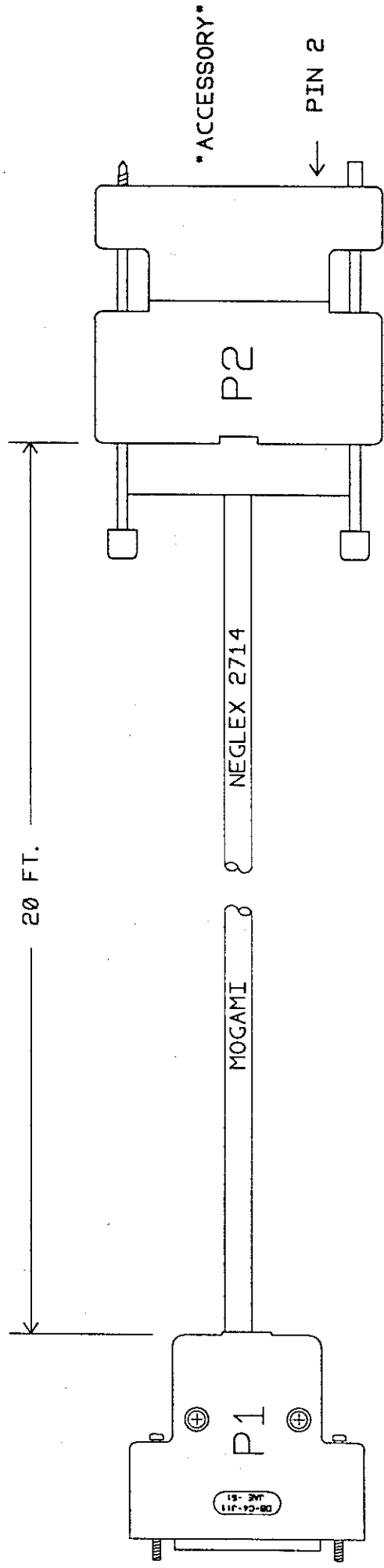
ADAMS-SMITH			
DATE: 03-03-92	ZETA-THREE	CABLE # 004	
	AMPEX ATR-116/124		
APPR.	SHEET 1 OF 3		
CABLE # 004	B8612-0253	REV- 1C	

# WIRING DIAGRAM



ADAMS-SMITH		
DATE: 03-03-92	ZETA-THREE	CABLE # 004
AMPEX ATR-116/124		
APPR.	SHEET 2 OF 3	
CABLE # 004	B8612-0253	REV- 1C

# ASSEMBLY DRAWING



DESCRIPTION	MFG.	MFG. #	LOCATION	A-S#	QTY
25 PIN PLUG	JAE	DB-25P	P1 CONN.	2102-0043	1
SHELL W/LOCKING SCREWS	JAE	DB-C4-J11-S1	P1 SHELL	2102-0024	1
75-PIN PLUG	WINCHESTER	MRAC-75P	P2 CONN.	2102-0106	1
75-PIN CONN. HOOD	WINCHESTER	MRE75HJTC	P2 SHELL	2102-0109	1
PINS FOR P2 CONN.	WINCHESTER	100-1020P	P2 CONN.	2103-0022	21
CABLE (8 SHIELDED PR)	MOGAMI	NEGLEX 2714	CABLE #1	6006-0001	20 FT.
SLEEVING/SHRINK TUBING AS NEEDED					

ADAMS-SMITH			
DATE: 03-03-92	ZETA-THREE	CABLE # 004	
AMPEX AIR-116/124			
APPR.	SHEET 3 OF 3		
CABLE # 004	88612-0253	REV- 1C	