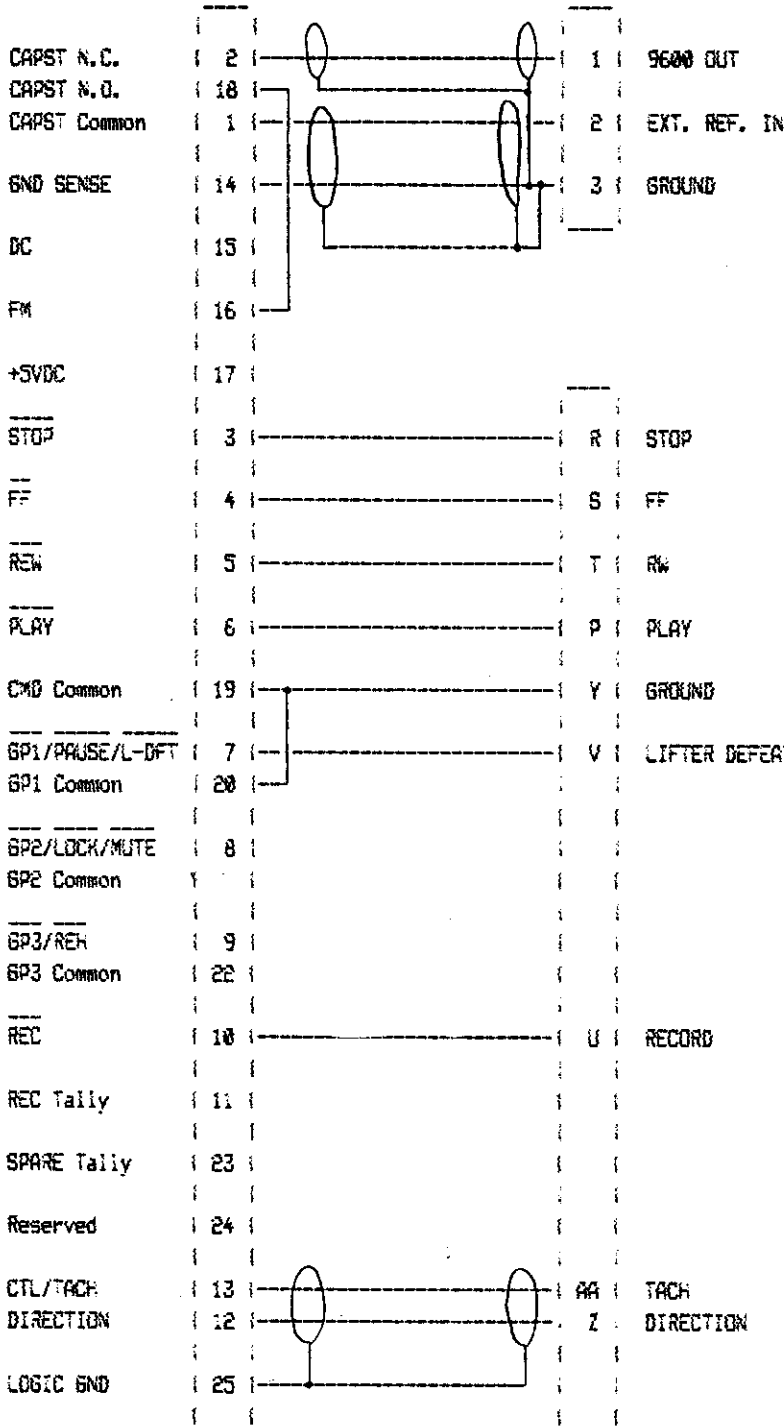


"TRANSPORT"  
CINCH DB-25P

"CAPSTAN"  
CINCH-JONES  
P-308 CCT



"REMOTE"  
WINCHESTER  
MRAC-26P

-NOTES-

1. PLAY AND RECORD TALLIES ARE NOT AVAILABLE ON THIS TRANSPORT.

CAPSTAN CENTER FREQUENCY 9.6 KHz  
CAPSTAN CENTER DC VDC  
CAPSTAN DC RANGE ( 3% SPEED) VDC  
CAPSTAN DC POLARITY

TACH RATE AT 15 IPS IS 120 PPS (78Hz)  
TACH DIRECTION & VDC INDICATES REVERSE

PUNCH IN = REC + PLAY

PUNCH OUT = REC + STOP

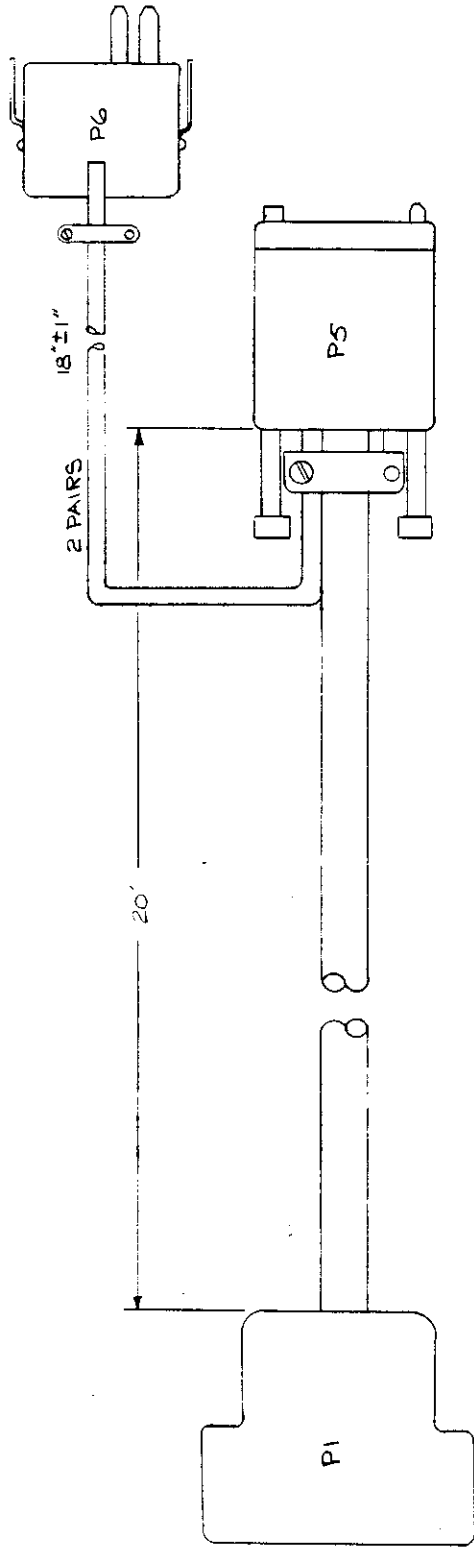
THIS DRAWING IS BASED ON THE LATEST INFORMATION AVAILABLE TO ADAMS-SMITH AND IS BELIEVED TO BE CORRECT. HOWEVER, IT IS THE RESPONSIBILITY OF THE USER TO DETERMINE WHETHER ITS USE IS APPROPRIATE IN ANY SPECIFIC INSTALLATION.

ADAMS-SMITH		
Drawn	ZETA-THREE	(Date)
DKM		
AMPEX MM-1200		
INTERFACE DRAWING		
Appr		(Rev)
<i>Ch</i>	005	-18

ZETA "TRANSPORT" CONNECTOR CINCH DB25-P			"REMOTE" WINCHESTER MRAC-26P		"CAPSTAN" CINCH-JONES P-308 CCT			
Name	Pin	Comments	Pin	Name	Pin	Name	Pin	Name
YEL	CAPST Common	1	-		2	EXT. REF. IN		
Blk	GROUND SENSE	14	-		3	GROUND		
Shld		-	-		3	GROUND		
DRS	FF/	4	S	FF	-			
Blk	STOP/	3	R	STOP	-			
Shld		-	-		-			
GRN	PLAY/	6	P	PLAY	-			
Blk	REW/	5	T	RW	-			
Shld	CMD Common	19	Y	GROUND	-			
BLU	SP1/PAUSE/LDFT/	7	V	LIFT DEFEAT	-			
Blk		-	-		-			
Shld		-	-		-			
TAN	CAPST N.C.	2	-		1	9600 OUT		
Blk		-	-		-			
Shld		-	-		3	GROUND		
PURPL		-	-		-			
Blk		-	-		-			
Shld		-	-		-			
RED	REC/	10	U	RECORD	-			
Blk		-	-		-			
Shld		-	-		-			
GREY	TACH	13	AA	TACH	-			
Blk	DIRECTION	12	Z	DIRECTION	-			
Shld	LOGIC GND	25	-		-			

CMD Common	19	J	Jumper
SP1 Common	20	J	
CAPST N.C.	18	J	Jumper
FM	16	J	

ADAMS--SMITH		
Drawn	ZETA-THREE	Date
DKM		
AMPEX MM-1200		
WIRING DIAGRAM		
Appr		Rev
<i>all</i>	005	



P6	3 SHIELDED	18"	BELDEN	9805
P5	8 SHIELDED	20'	MOGAMI	NEGLEX 2714
P6	PLUG	1	CINCH-JONES	P-308-CCT
P5	PLUG/SHELL	1	WINCHESTER	MRAC-26P JTCB
P1	SHELL LOCKING WITH SCREWS	1	JAE	DB-C4-J11-S1
P1	RECEPTACLE	1	JAE	DB-25P
ITEM	DESCRIPTION	QTY	MFRG	PART NO.

BILL OF MATERIAL

ADAMS · SMITH

DWN	DATE	12-3-86
ESWARD	REV	REV 9-16-88
INTERFACE	ZETA - THREE	
CABLE NO.005	AMPEX MM1200	
APPROVED	B8612-0350	REV - 1 B